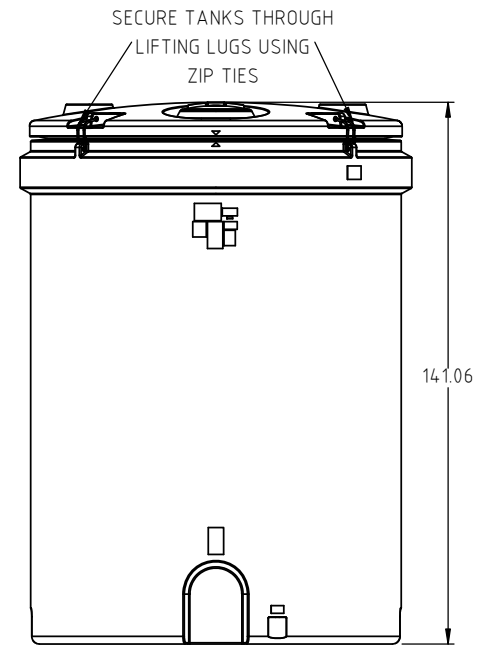
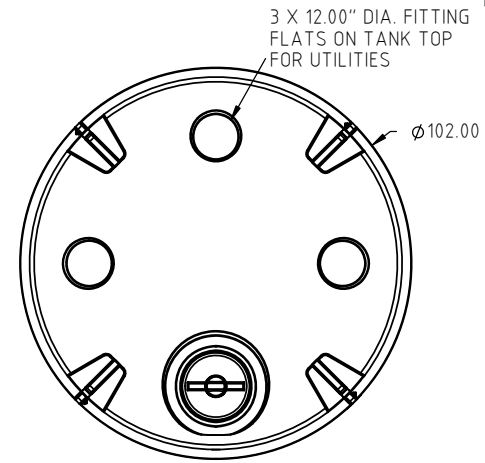
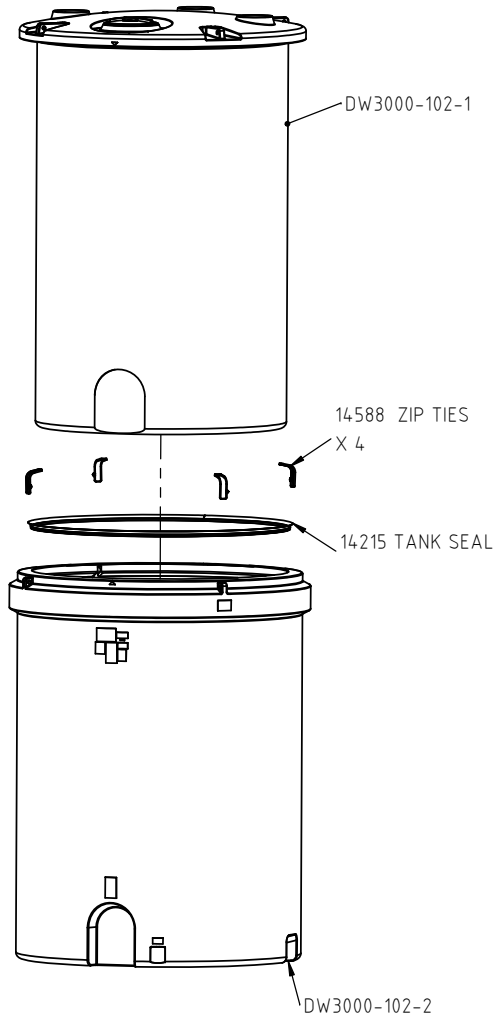



Copyright. All information furnished within this document, electronic file or design correspondence is the property of Den Hartog Industries, Inc. and shall not be used, disclosed to others or copied without the expressed written consent of Den Hartog Industries, Inc.

IMPORTANT!
NEVER FILL ABOVE THE ADVERTISED CAPACITY OF TANK.
FAILURE TO HEED MAY EXCEED THE RATED CAPACITY
OF THE OUTER CONTAINMENT TANK.



				DRAWN / DATE ADH 10/6/14	MATERIAL SEE NOTE 1
				APPROD. / DATE REH 6/12/19	
REV	DESCRIPTION	BY / DATE	CCN		
ALL DIMENSIONS ARE IN DECIMAL INCHES TOLERANCES UNLESS OTHERWISE SPECIFIED		THIRD ANGLE PROJECTION ANSI 14.5M		SHOT WEIGHT:	NOTES: 1.) REFERENCE COMPONENT PRINTS FOR DETAILS 2.) PATENT 9,162,816
POLYETHYLENE ±1% @ 68°F				SHIPPING WEIGHT: STANDARD 1512.00 LBS. FINISH:	



Den Hartog

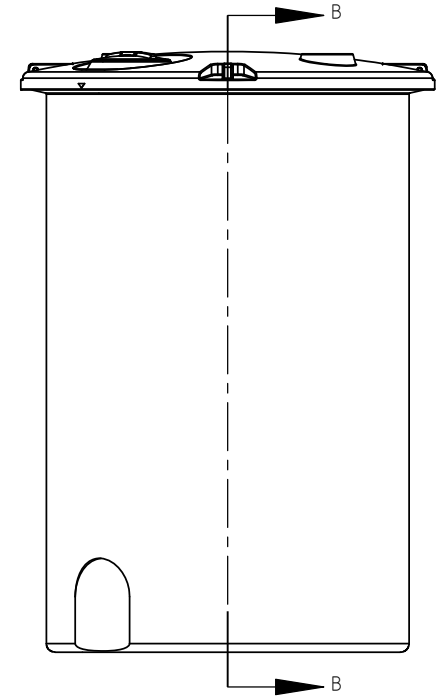
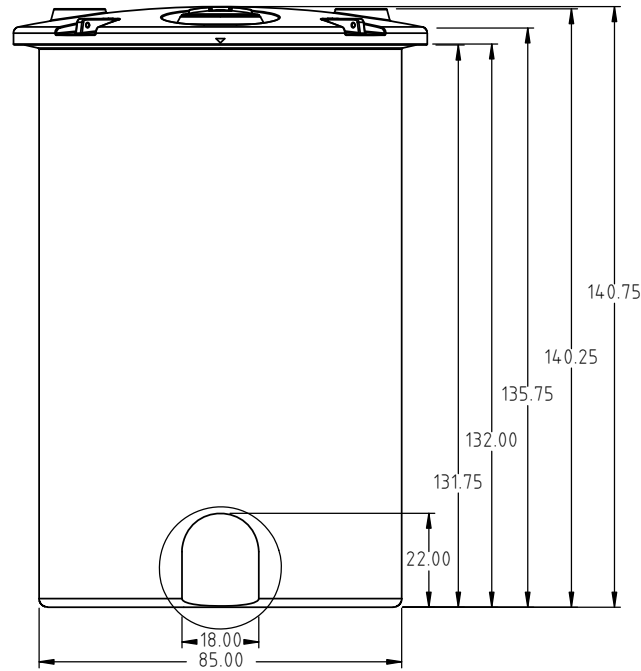
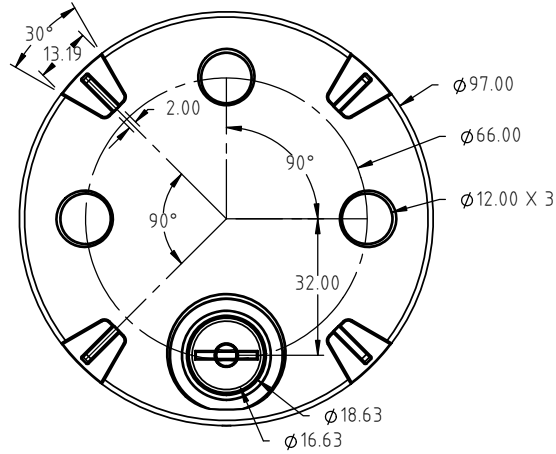
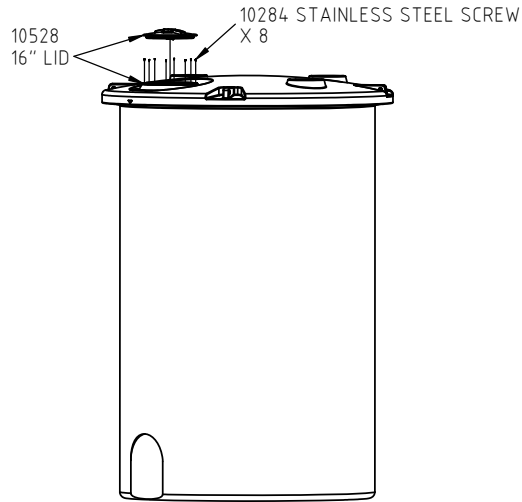
INDUSTRIES, INC.

Ace Roto-Mold Injection Molding Blow Molding Sowjoy

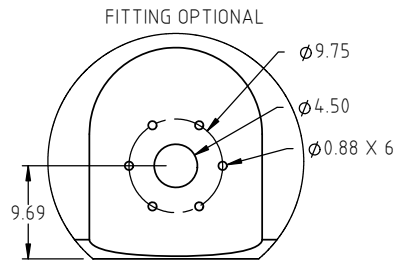
4010 HOSPERS DRIVE S. BOX 425, HOSPERS, IOWA 51238-0425

DESCRIPTION 3000 GALLON DUAL LINE™ TANK ASSEMBLY	
SCALE N.S.	PART NO. DW3000-102

Copyright. All information furnished within this document, electronic file or design correspondence is the property of Den Hartog Industries, Inc. and shall not be used, disclosed to others or copied without the expressed written consent of Den Hartog Industries, Inc.



SEE SHEET
2 OF 2 FOR
DETAILS



DETAIL A
SCALE 1:20

				DRAWN / DATE ADH 10/16/12	MATERIAL 10420
				APPRD. / DATE REH 6/12/19	
REV	DESCRIPTION	BY / DATE	CCN		
ALL DIMENSIONS ARE IN DECIMAL INCHES TOLERANCES UNLESS OTHERWISE SPECIFIED		THIRD ANGLE PROJECTION ANSI 14.5M		SHOT WEIGHT: 800.00 LBS.	NOTES: 1.) 0.375 NOM. WALL THICKNESS 2.) PATENT 9,162,816
POLYETHYLENE		METAL DECIMAL ± .125" FRACTION ± 1/4" ANGLE ± 1°		SHIPPING WEIGHT: 802.00 LBS.	
±1% @ 68°F				FINISH:	

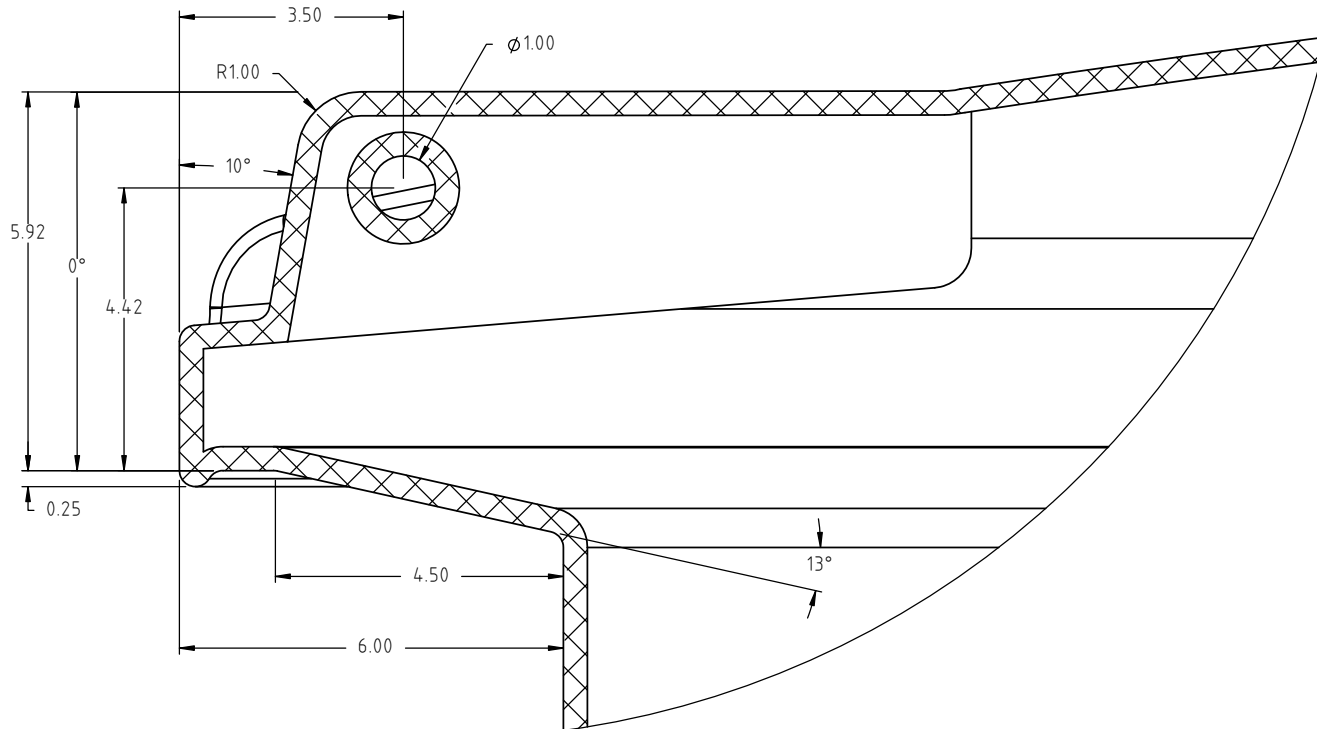


Den Hartog
INDUSTRIES, INC.

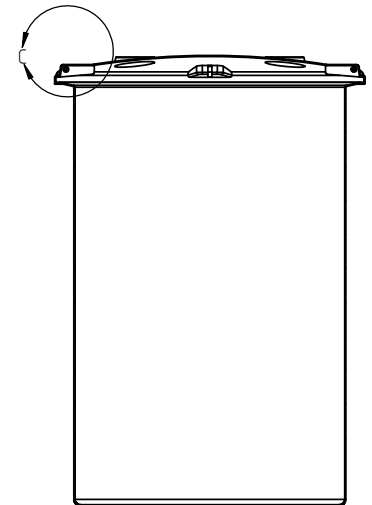
Ace Roto-Mold Injection Molding Blow Molding Sowjoy

4010 HOSPERS DRIVE S. BOX 425, HOSPERS, IOWA 51238-0425

DESCRIPTION 3000 GALLON DUAL LINE™ TANK-INNER TANK-1 OF 2	
SCALE N.S.	PART NO. DW3000-102-1



DETAIL C
SCALE 1:3



SECTION B-B
SCALE 1:60

				DRAWN / DATE ADH 10/16/12	MATERIAL
				APPRD. / DATE REH 6/12/19	
REV	DESCRIPTION	BY / DATE	CCN		
ALL DIMENSIONS ARE IN DECIMAL INCHES TOLERANCES UNLESS OTHERWISE SPECIFIED		THIRD ANGLE PROJECTION ANSI 14.5M		SHOT WEIGHT:	NOTES:
POLYETHYLENE		METAL DECIMAL ± .125" FRACTION ± 1/4" ANGLE ± 1°		SHIPPING WEIGHT:	
±1% @ 68°F				FINISH:	



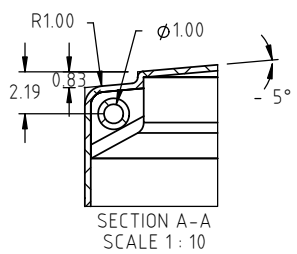
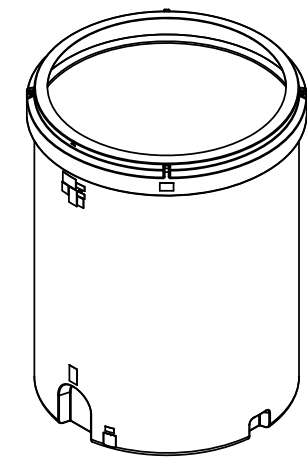
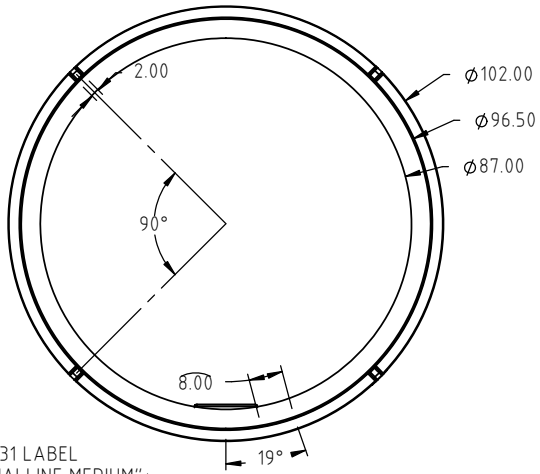
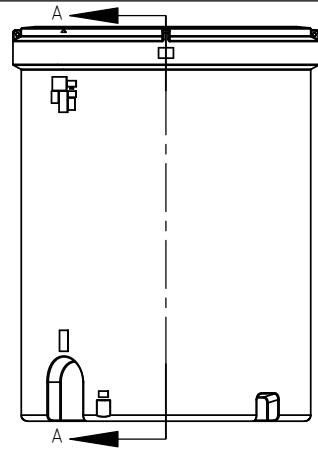
Den Hartog
INDUSTRIES, INC.

Ace Roto-Mold Injection Molding Blow Molding Sowjoy

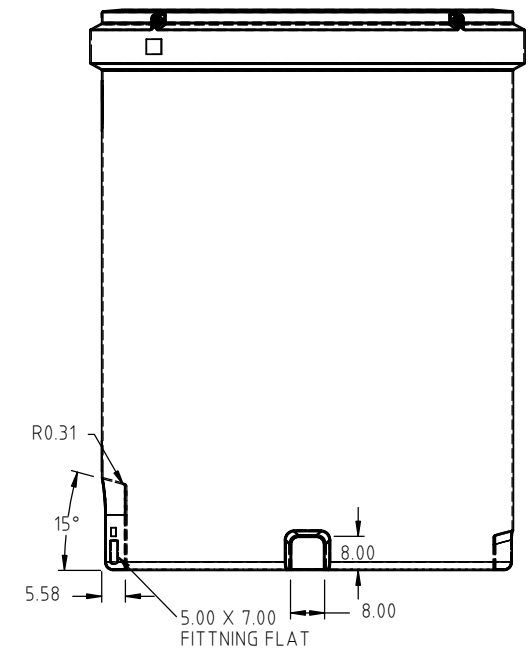
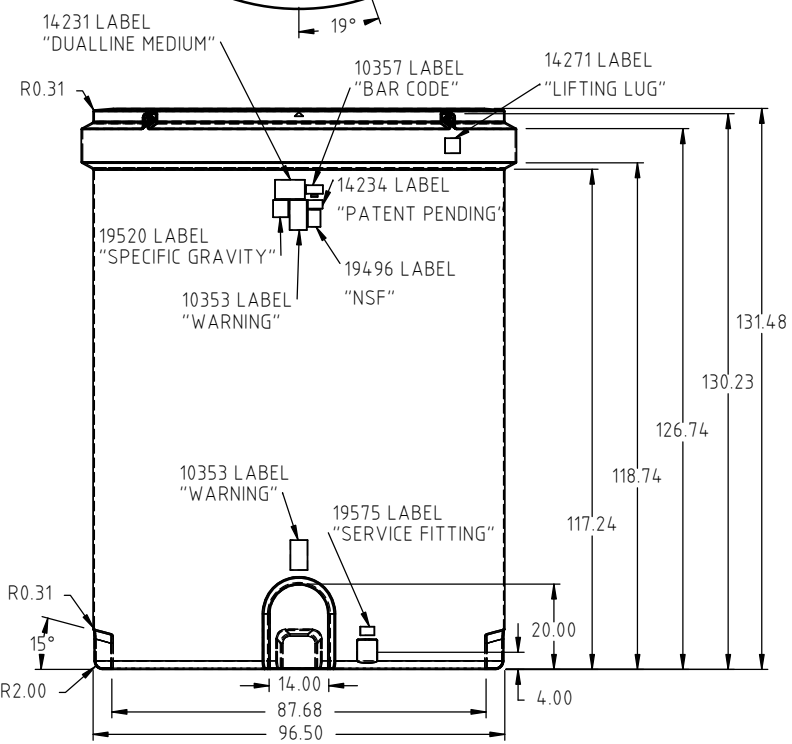
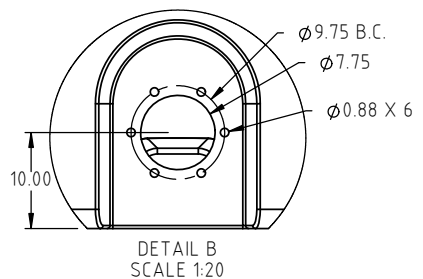
4010 HOSPERS DRIVE S. BOX 425, HOSPERS, IOWA 51238-0425

DESCRIPTION 3000 GALLON DUAL LINE™ TANK-INNER TANK- 2 OF 2	
SCALE N.S.	PART NO.


Copyright. All information furnished within this document, electronic file or design correspondence is the property of Den Hartog Industries, Inc. and shall not be used, disclosed to others or copied without the expressed written consent of Den Hartog Industries, Inc.



FITTING OPTIONAL



REV	DESCRIPTION	BY / DATE	CCN	DRAWN / DATE ADH 3/10/14	MATERIAL 10420
				APPRD. / DATE REH 6/12/19	
				SHOT WEIGHT: 750.00 LBS.	NOTES: 1.) 0.31 NOM. WALL THICKNESS 2.) PATENT 9,162,816
				SHIPPING WEIGHT: 712.00 LBS.	
				FINISH:	



Den Hartog
INDUSTRIES, INC.

Ace Roto-Mold Injection Molding Blow Molding Sowjoy

4010 HOSPERS DRIVE S. BOX 425, HOSPERS, IOWA 51238-0425

DESCRIPTION 3000 GALLON DUAL LINE™ TANK- OUTER TANK	
SCALE N.S.	PART NO. DW3000-102-2

ALL DIMENSIONS ARE IN DECIMAL INCHES TOLERANCES UNLESS OTHERWISE SPECIFIED
POLYETHYLENE METAL
DECIMAL ± .125"
FRACTION ± 1/4"
ANGLE ± 1°
±1% @ 68°F

